

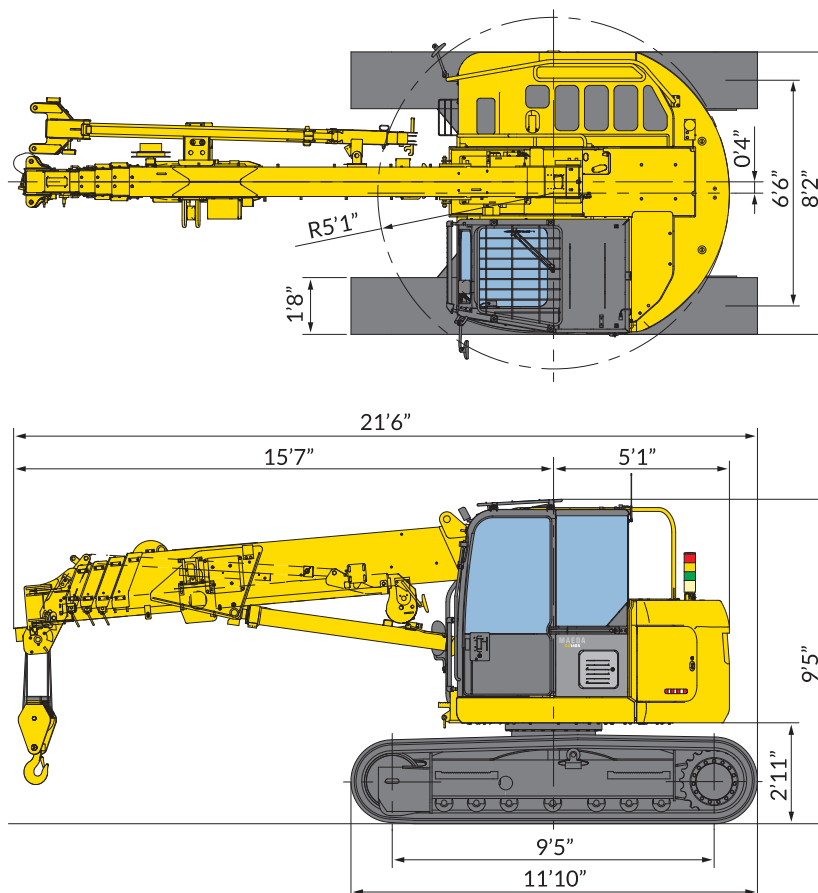
CRAWLER CRANE
CC1485S-1

TECHNICAL DATA
 Imperial(US)

Specifications

Model	CC1485S-1
Crane Capacity	13,220lb x 8.5'
Max. Working Radius	53'
Max. Lifting Height	55' (72.2' with fly jib)
Max. Reach Below Ground	-80.3' (4 parts of line)
Pick & Carry Capacity	4,400lb
Travel Speed	0 - 1.99mph
Travel Ground Pressure	7.11PSI
Travel Ground Pressure (with fly jib)	7.26PSI
Engine	ISUZU 4LE2XDPC / Diesel
Engine Rated Output	54.04hp (40.3kw)/2000rpm
Dimensions	21'6"(L) x 8'2"(W) x 9'5"(H)
Tail Swing	5'1"
Machine Weight	31,752lb (32,413lb with fly jib) (Rubber Pads: +1,036lb)

Dimensions

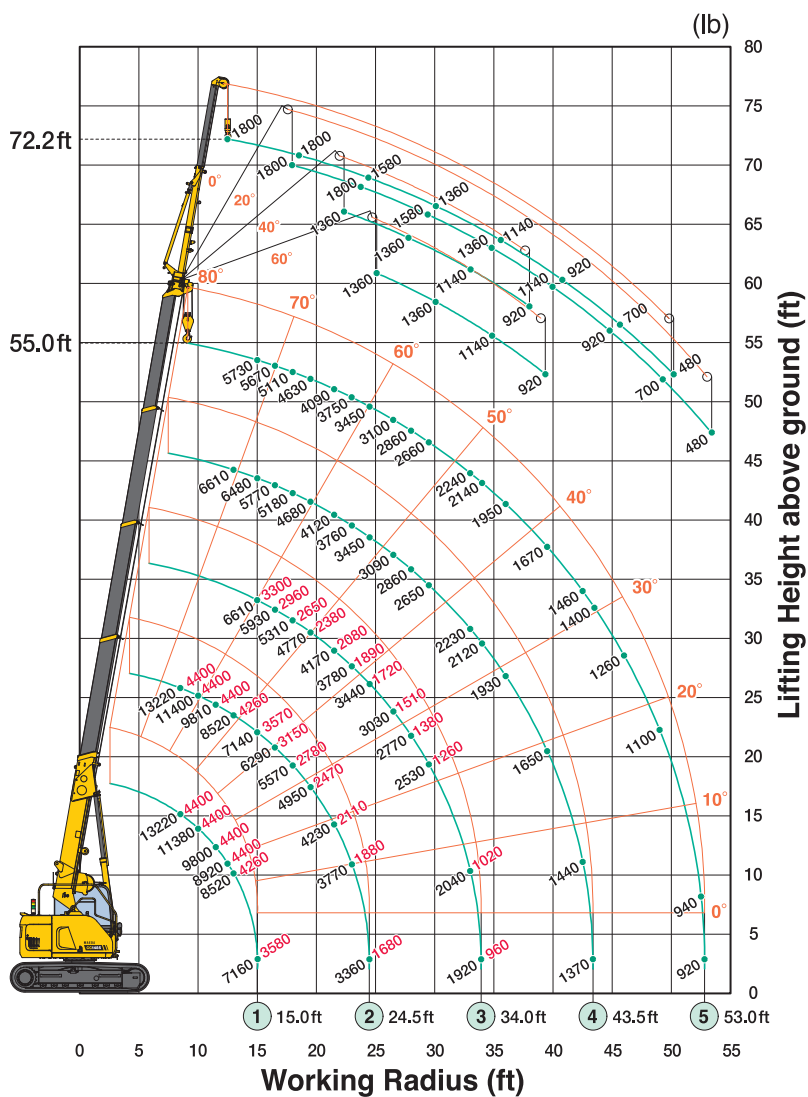
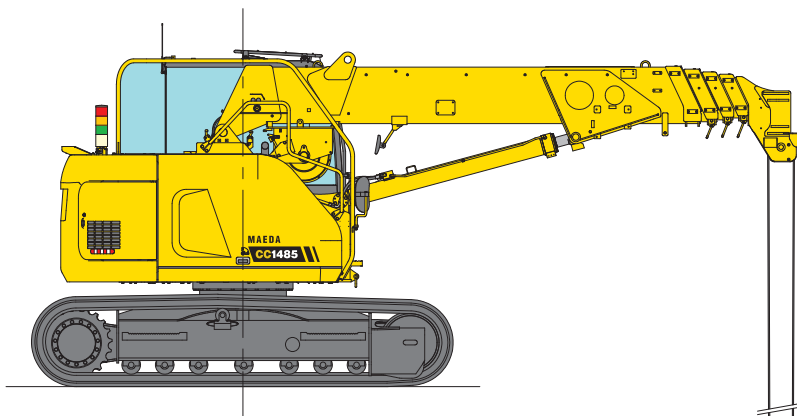


CRAWLER CRANE
CC1485S-1

TECHNICAL DATA
 Imperial(US)

Working Range Chart

Max. Below Grade



- 4 Parts 80.3'
- 2 Parts 165.6'
- Single Part 339.5'