

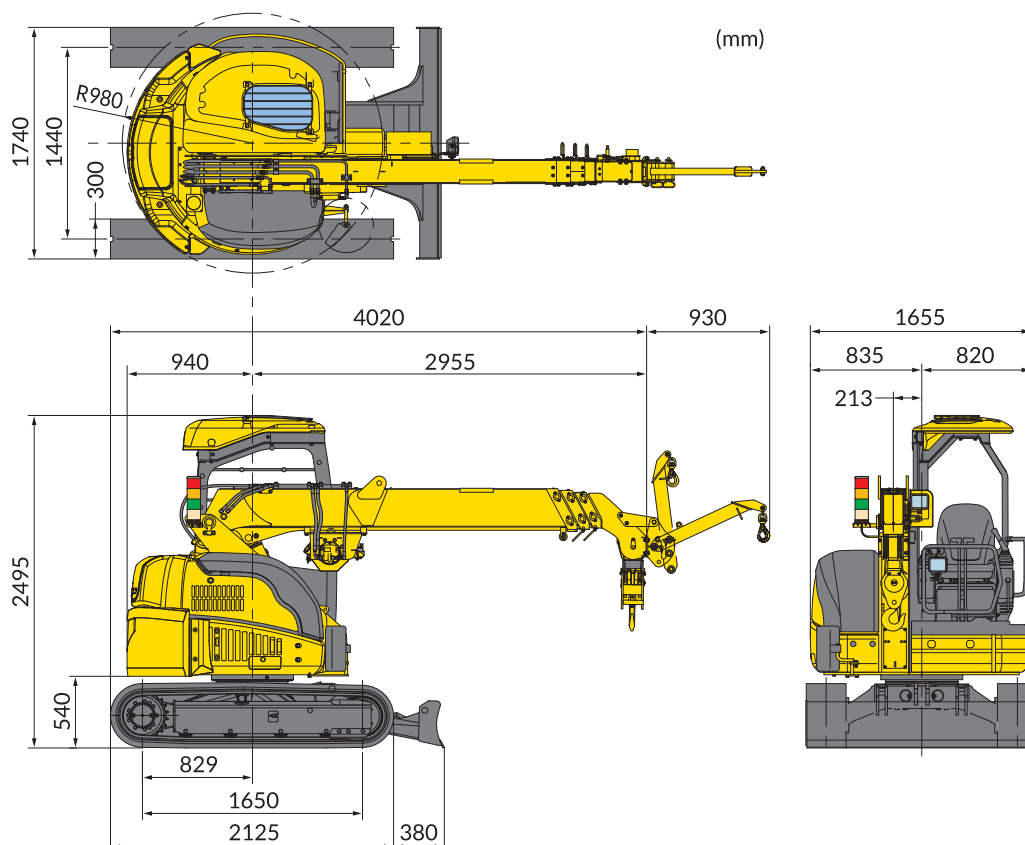
CRAWLER CRANE
CC423S-1

TECHNICAL DATA
Metric(CE)

Specifications

Model	CC423S-1
Crane Capacity	2.93t x 1.5m
Max. Working Radius	8.38m x 0.20t
Max.Lifting Height	9.46m
Max. Reach Below Ground	-15.5m (4 falls)
Pick & Carry Capacity	1,465kg
Travel Speed	0-4.6km/h
Travel Ground Pressure	43.5kpa [0.44kgf/cm ²]
Engine	YANMAR 3TNV88F-EPMBA / Diesel
Engine Rated Output	17.5kw/2,400rpm
Dimensions	4,020mm (L) x 1,740mm (W) x 2,495mm (H)
Tail swing	980mm
Machine Weight	4,400kg (Rubber Pads : +90kg)

Dimensions



CRAWLER CRANE
CC423S-1

TECHNICAL DATA

Metric(CE)

Working Range Chart

Max. Below Grade

