

SPIDER CRANE
MC405C

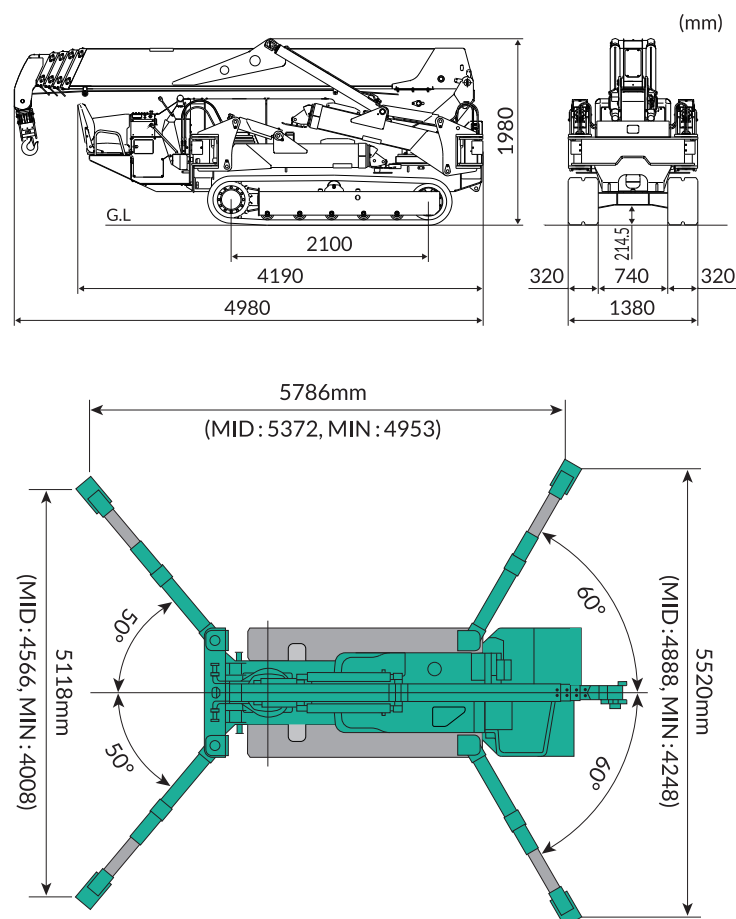
TECHNICAL DATA

Metric(CE)

Specifications

Crane Capacity	3.83t×2.7m
Max. Working Radius	16m×0.21t
Max. Lifting Height	16.8m
Max. Reach Below Ground	-20.5m (4 falls)
Outrigger Max. Extended Width	(Lateral)5,786mm x (Front)5,118mm x (Rear)5,520mm
Pick & Carry Capacity	500kg
Travel Speed	0-3.3km/h
Travel Ground Pressure (MC405CRM)	49.0kpa [0.50kgf/cm ²]
Travel Ground Pressure (MC405CRME)	51.0kpa [0.52kgf/cm ²]
Engine	YANMAR 3TNV88-BPMB / Diesel
Engine Rated Output	21.4kw/2,400rpm
Electric Motor	7.5kw, 4P 380V
Dimensions	4,980mm (L) x 1,380mm (W) x 1,980mm (H)
Machine Weight	5,600kg (5,750kg with electric motor) (Fly jib: +150kg)

Dimensions



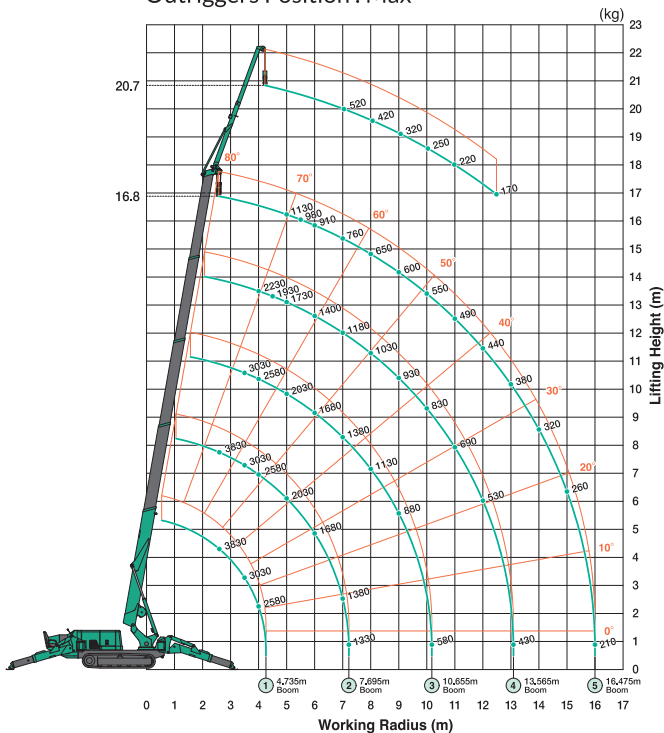
SPIDER CRANE
MC405C

TECHNICAL DATA

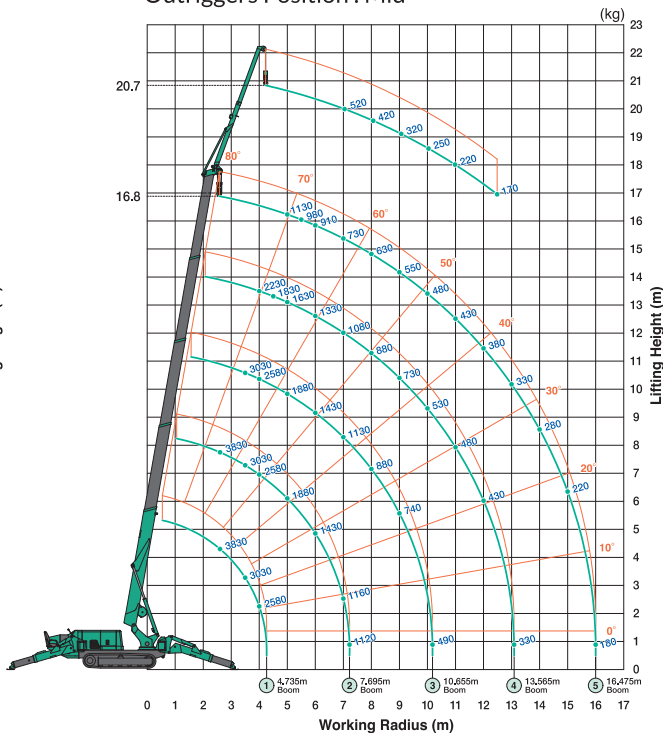
Metric(CE)

Working Range Chart

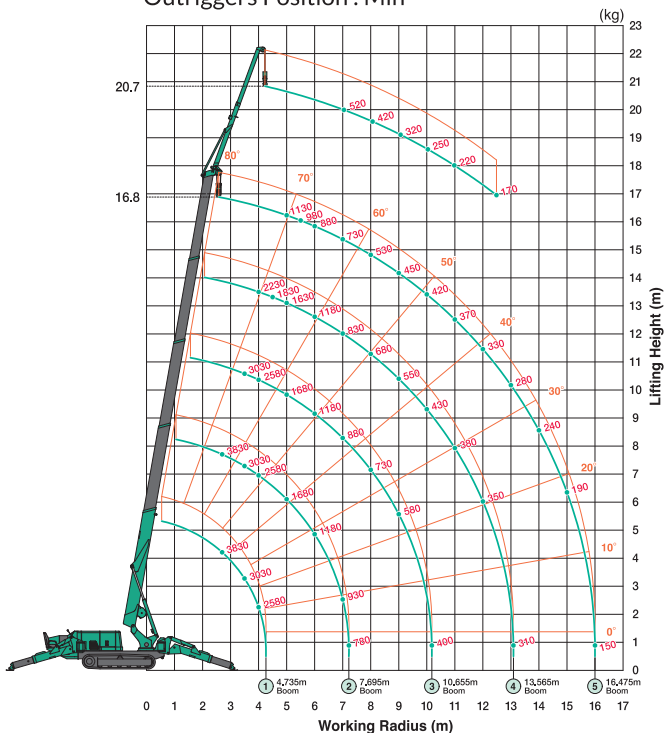
Outriggers Position : Max



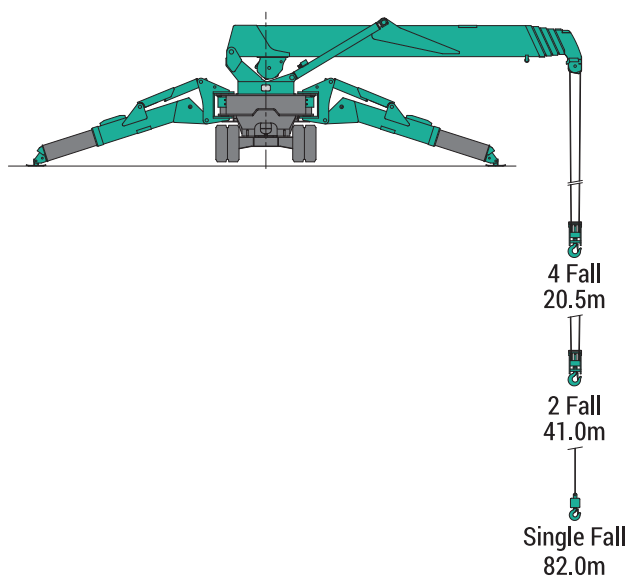
Outriggers Position : Mid



Outriggers Position : Min



Max. Below Grade



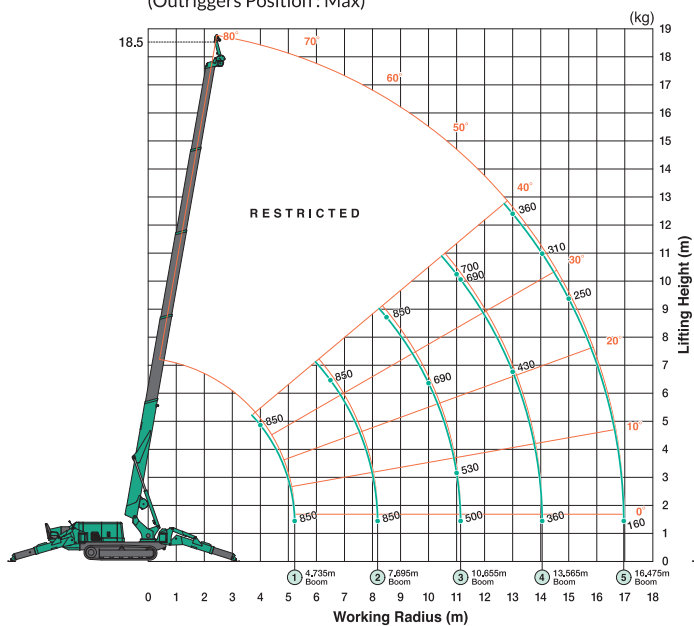
SPIDER CRANE
MC405C

TECHNICAL DATA
Metric(CE)

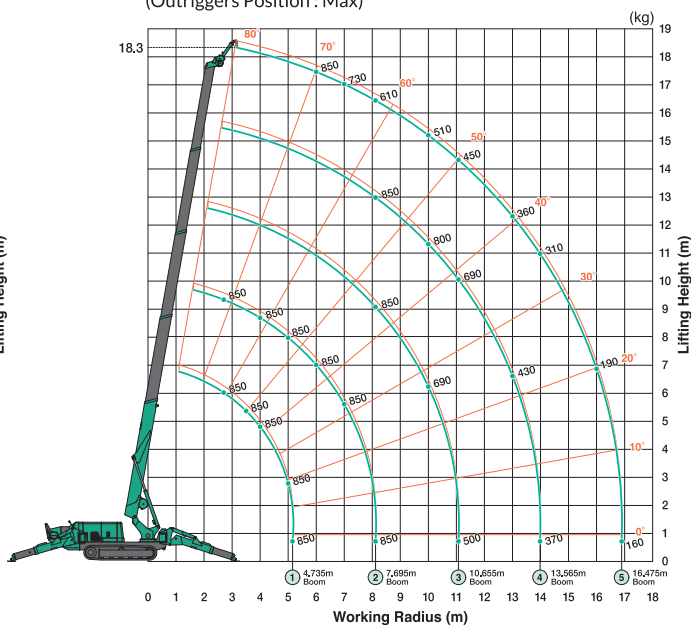
Working Range Chart

850kg Searcher Hook

850kg Searcher Hook Offset Position : SH1
(Outriggers Position : Max)



850kg Searcher Hook Offset Position : SH2
(Outriggers Position : Max)



850kg Searcher Hook Offset Position : SH3
(Outriggers Position : Max)

